

This document is provided by **The Virtual Weber Bullet (TVWB)** for the private, non-commercial use of Weber Smokey Mountain Cooker owners.

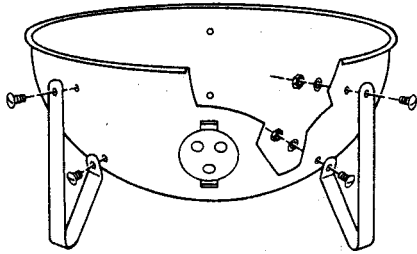
The document is copyrighted by the Weber-Stephen Products Co. TVWB does not claim any rights to the content of this document or to any intellectual property or product designs of the Weber-Stephen Products Co.

However, the scanning, formatting, and publishing of this document in PDF format represents a considerable investment in equipment, software, and labor on the part of TVWB. You may not republish, post, transmit, or distribute this document in any way whatsoever without the permission of TVWB.

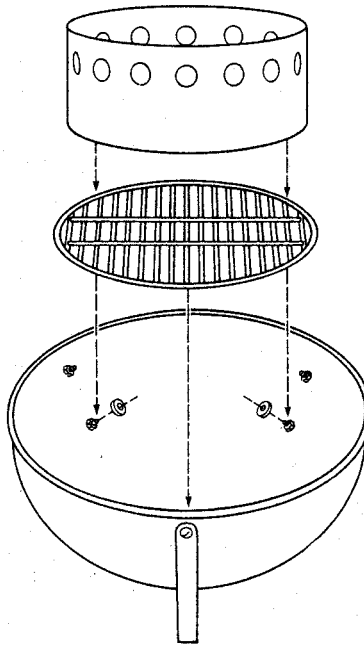
The Virtual Weber Bullet
www.virtualweberbullet.com
September 2005

SMOKEU MOUNTAIN COOKER

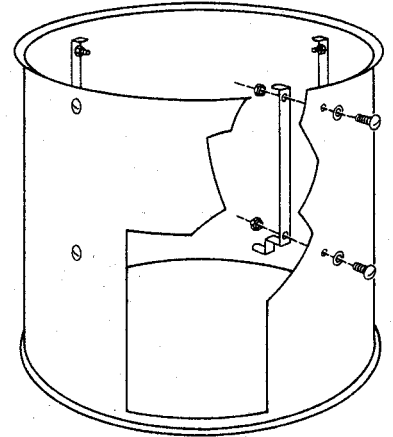
STEP 1



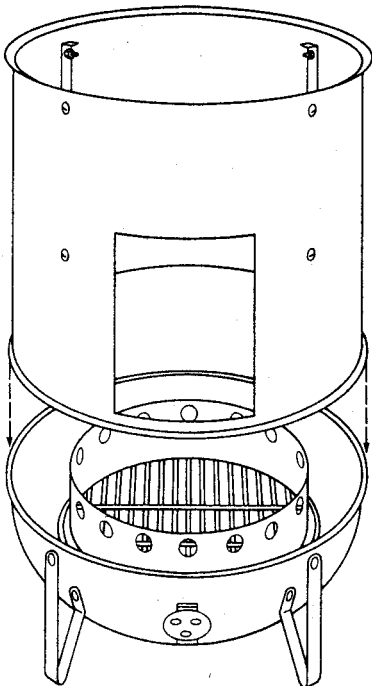
STEP 2



STEP 3

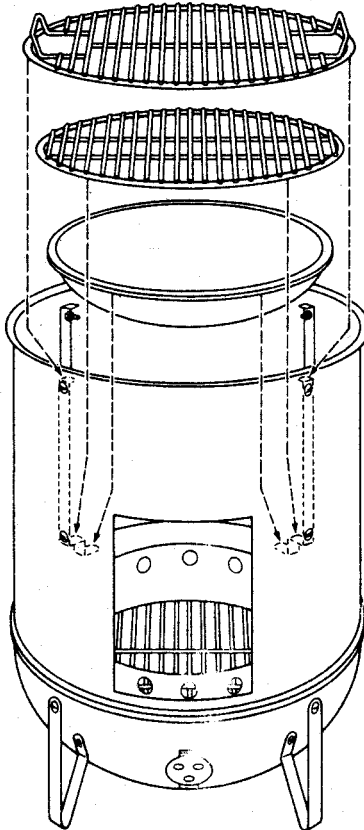


STEP 4

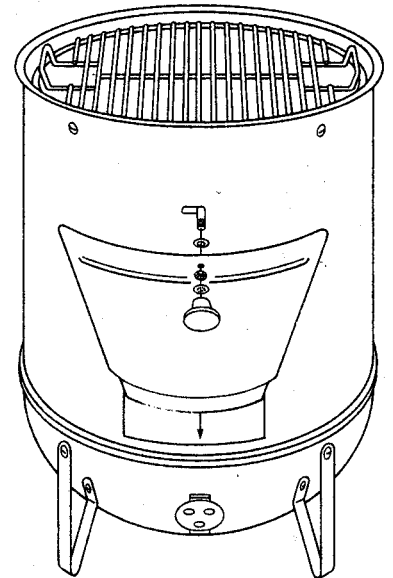


STEP 5

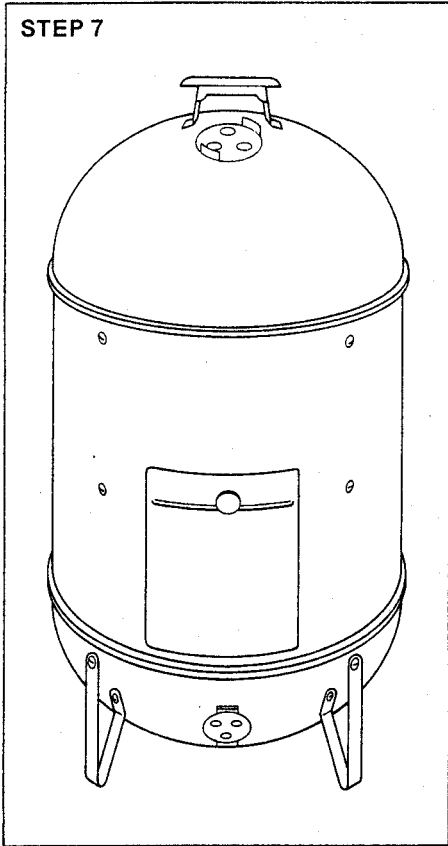
SMOKING



STEP 6



STEP 7



Assembly Instructions for Smokey Mountain Cooker

- Step 1.** Set lower bowl on the ground. Place leg against bowl and insert ¼—20 x ½ screws. Slip steel washers over the screws and secure assembly with ¼—20 nut, hand-tight. Repeat step 1 three times. With the three legs in position tighten assembly using 8" adjustable wrench and screwdriver.
- Step 2.** Set unplated grill into lower bowl (with grating on grill facing down into bowl). Rest charcoal ring (holes closest to top) on grill.
- Step 3.** Place fiber washer over ¼ —20 screws (from the outside, toward the inside) in the middle ring. Place bracket inside the ring, over the screws. (The two "ledges" are on the bottom of the bracket.) Secure nuts handtight. Repeat step 1 four times. Use adjustable wrench and screwdriver to secure assembly firmly.
- Step 4.** Place middle ring with brackets attached onto lower bowl.

Step 5. Place water pan on the bottom ledge of bracket. Place plated cooking grill (with *no* handles) on middle ledge of bracket. Place 2nd cooking grill (with handles) on very top ledge of bracket.

Step 6. Assemble knob and door latch to door. Place steel washer over 10-24 screw latch, insert through hole in door. Next, as screw latch is thru door, place hex nut on, followed by a star washer and then the knob. Use a screwdriver to secure assembly firmly.

Place door into smoker ring by holding it on a slight angle.

To open or to close door, turn knob.

Step 7. Put on lid.

For Steaming

Raise the charcoal grill up to the lower grill strap (where the lower cooking grill normally goes for smoking) with the outer ring facing up. Set charcoal ring (with holes closest to the top, as usual) on grill. Fill two-thirds with charcoal. Light.

Set water pan so that it rests on top of charcoal ring. Use the top cooking grill (the one with handles) in its normal position to hold the food to be steamed.

For Barbecuing

Follow directions above for steaming, but omit water pan. Use of charcoal ring is optional. #1980 = 29" tall cover

Parts List

Model 1880 Part #	Model 2880 Part #	Description	Quantity
63002	63003	Lid	1
63004	63005	Center Ring (Body)	1
6300	63001	Bowl	1
84200	84201	Grill Strap	4
75499	75500	Door Assembly	1
72201	72601	Charcoal Grill	1
72200	70701	Lower Cooking Grill	1
970301	970601	Upper Cooking Grill	1
75800	75801	Leg	3
861599	861601	Charcoal Chamber	1
861700	861701	Water Pan	1
80401	80401	Hardware Pack	1

87405*	87405*	¼-20 x ½ Bolt	14
87503*	87503*	¼-20 Nut	14
877301*	877301*	Fiber Washer	8
87605*	87605*	¼ Flatwasher	6

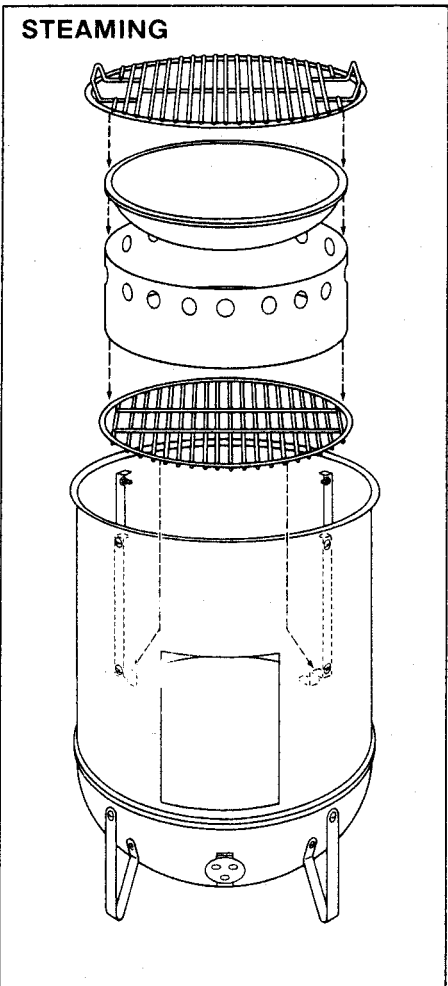
*Included in 80401 Hardware Pack

weber
The one. The only.

1981-1983

200 E. DANIELS RD.
PALATINE, IL 60007 • 934-5700

STEAMING



BARBECUING

