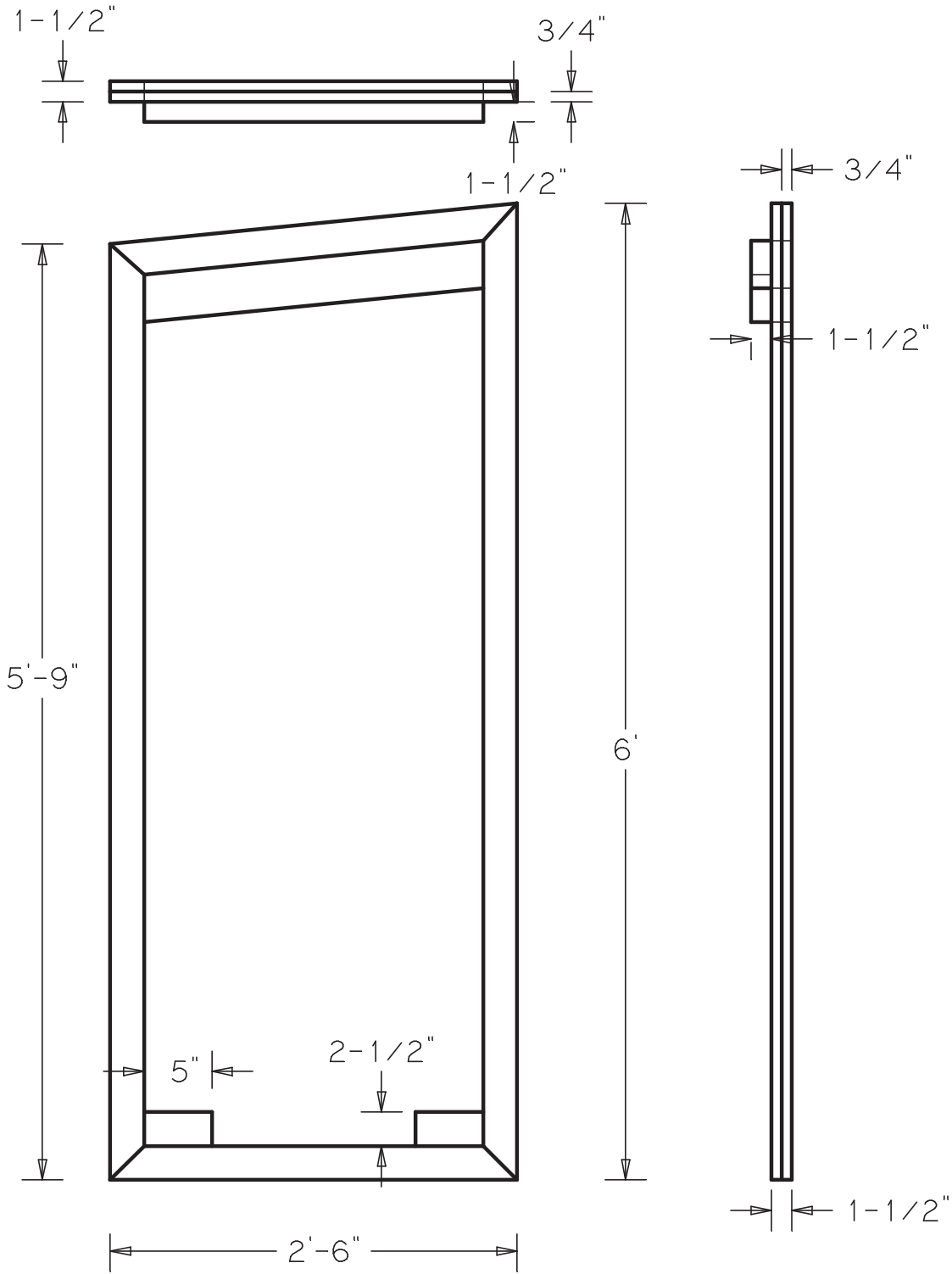


WSM Portable Smoke Shack 2011

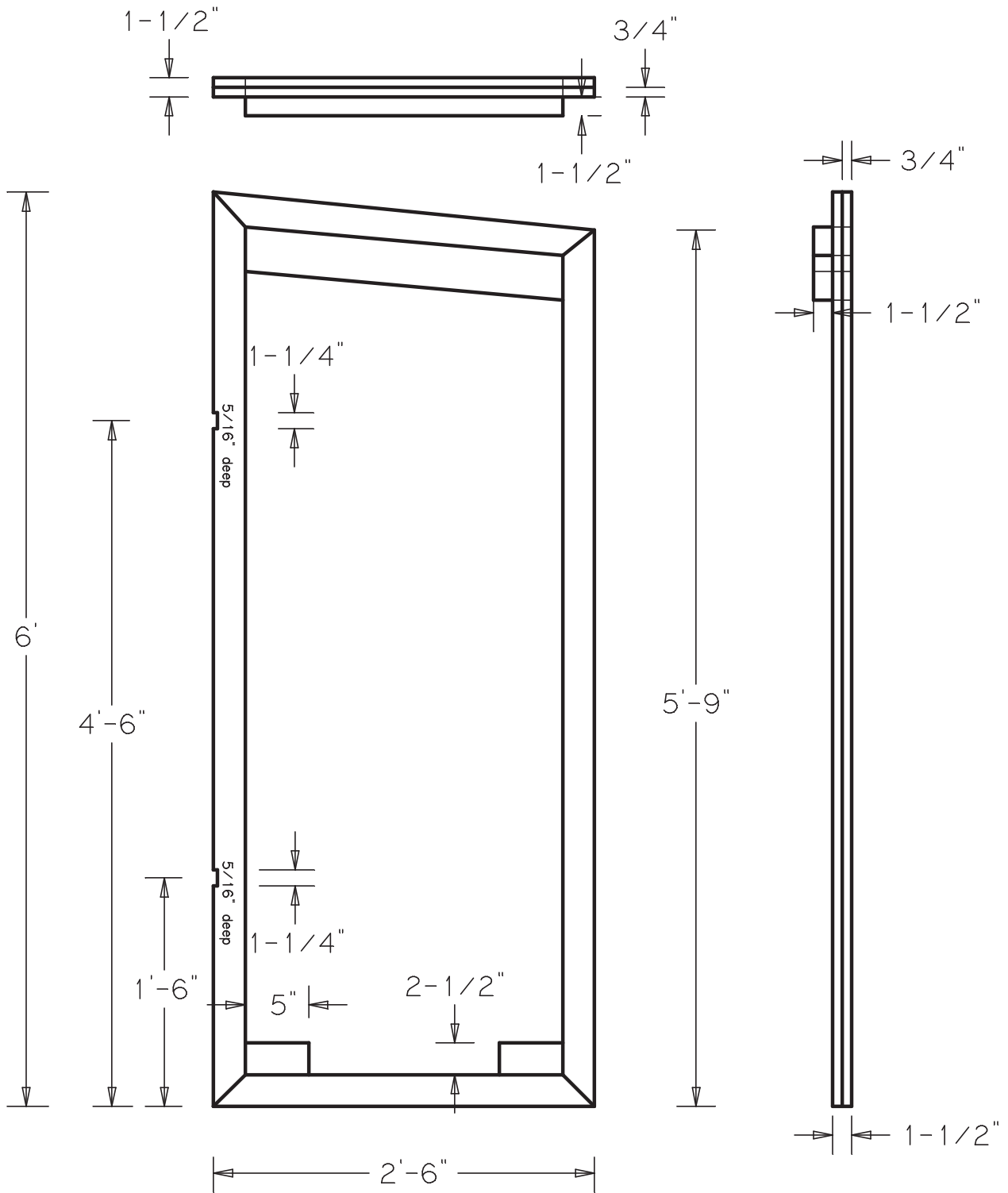
Greg Maciejewski

Please Note: I am an Electrical Engineer by trade. I am neither a Mechanical Engineer nor a Carpenter. These drawings were made with Cad Standard software (<http://www.cadstd.com/>) and are to scale. I made these drawings to make it easier for me to build the Smoke Shack so please forgive me if they are not technically accurate. As I like to say ... "It got the job done!"

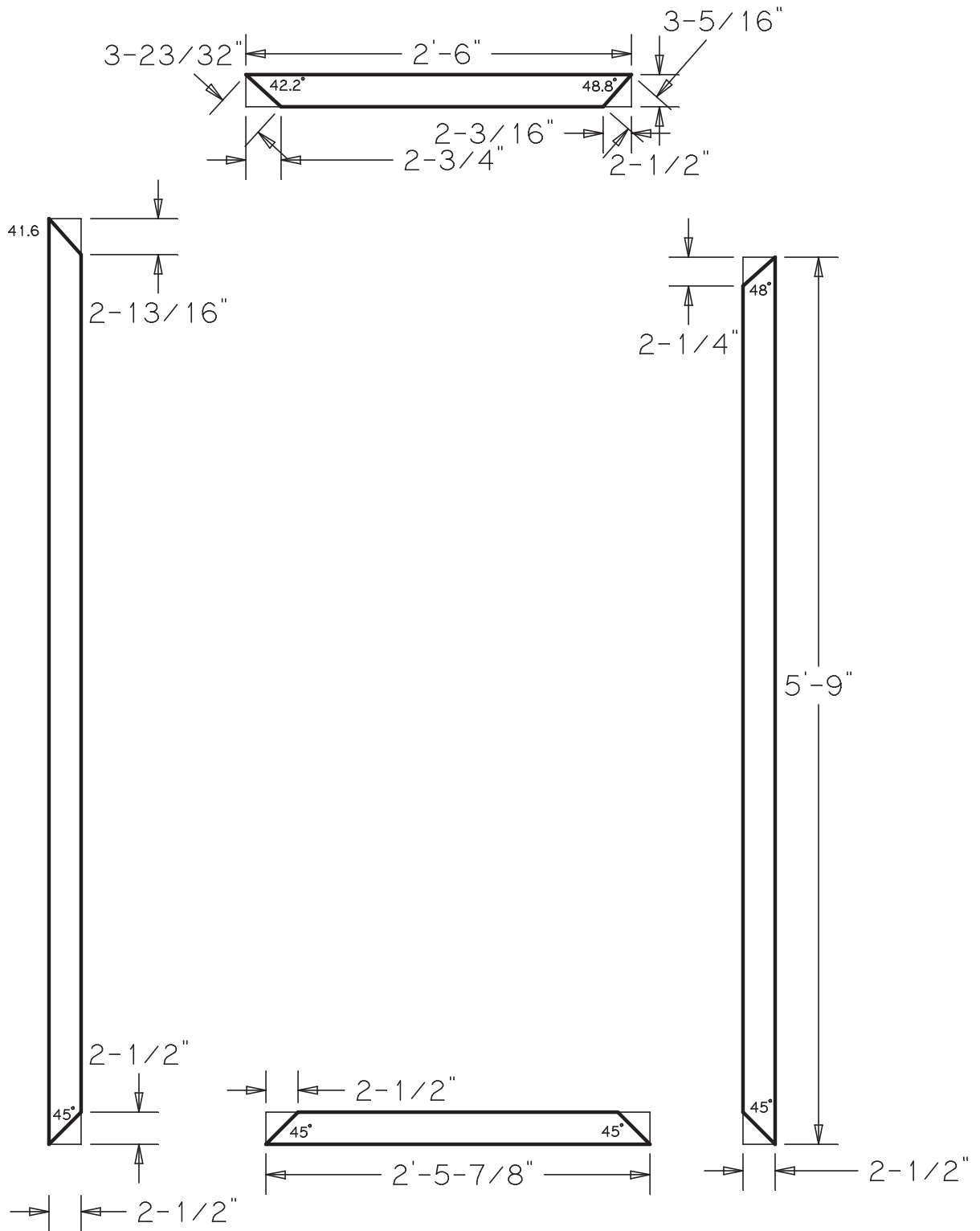
Right Side Panel



Left Side Panel

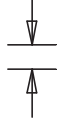


Left/Right Side Panel Frame

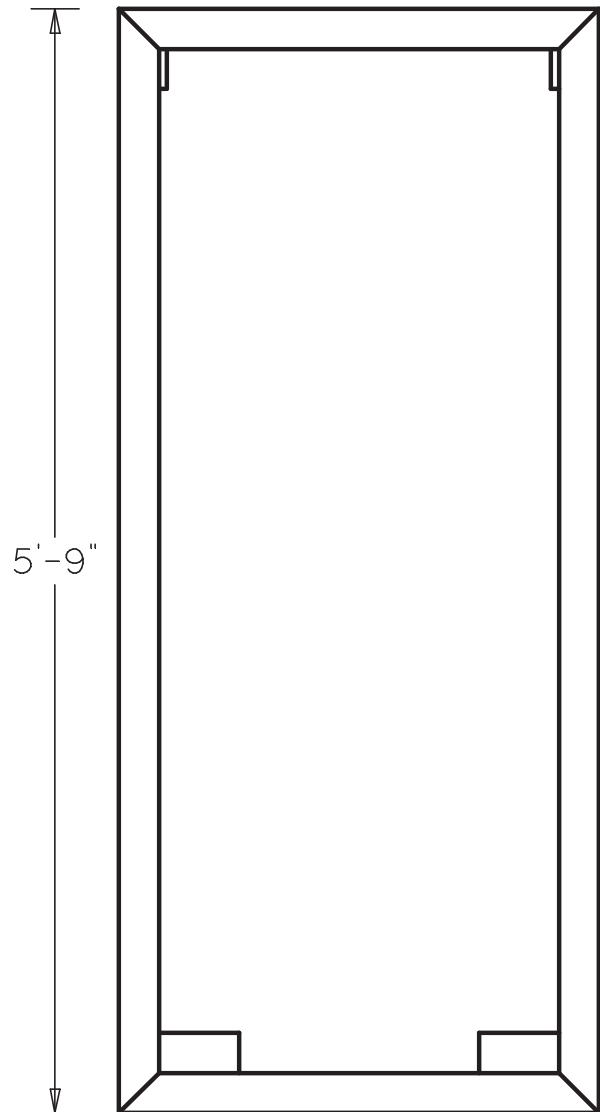
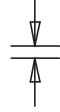


Back Panel

1-1/2"



3/4"



5'-9"

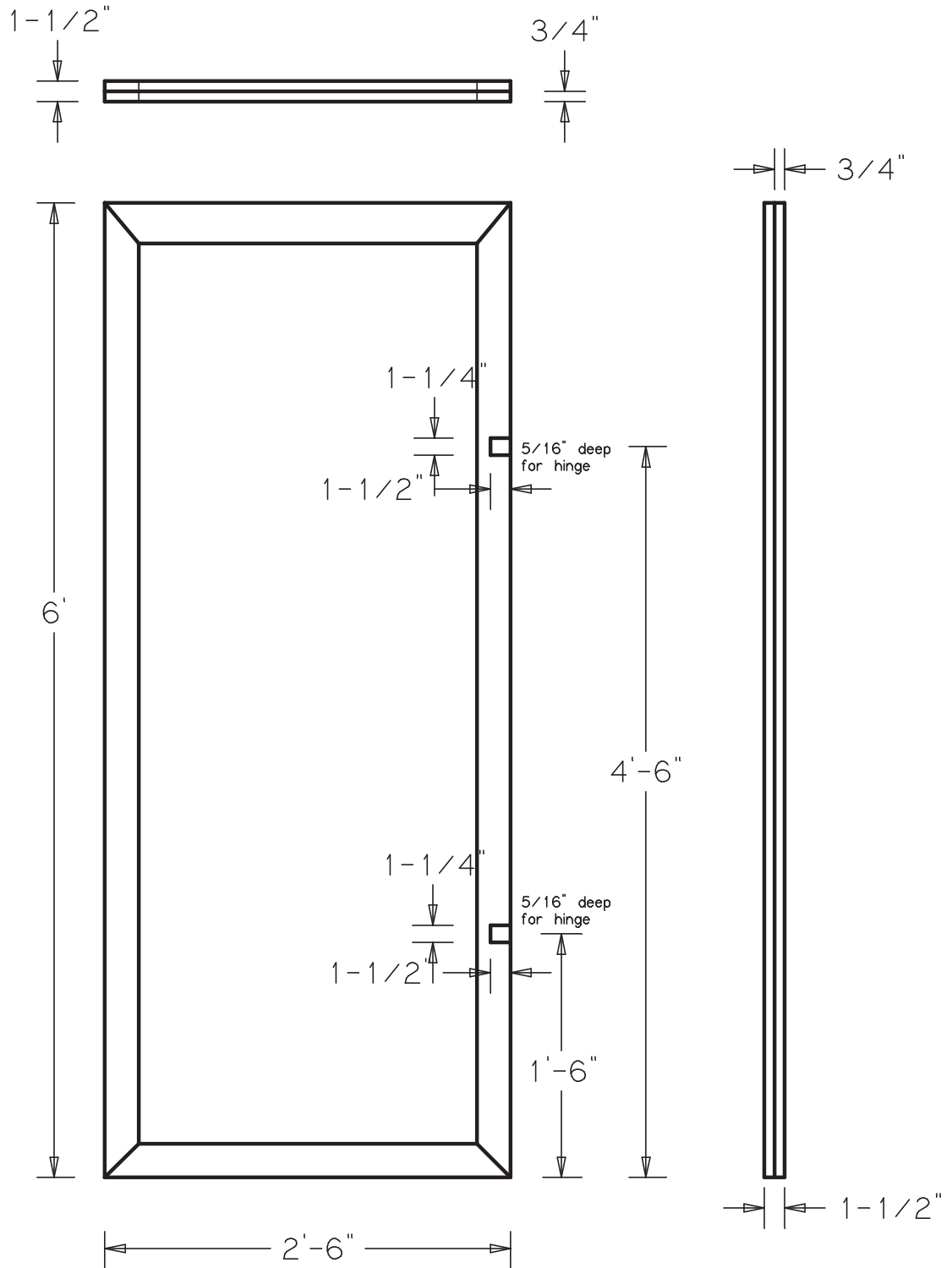
2'-6"

3/4"

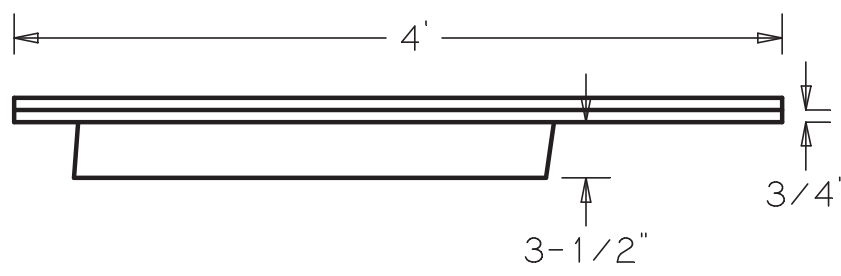
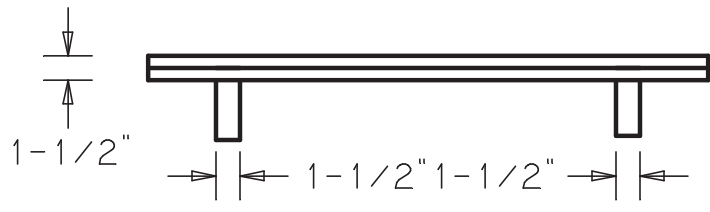
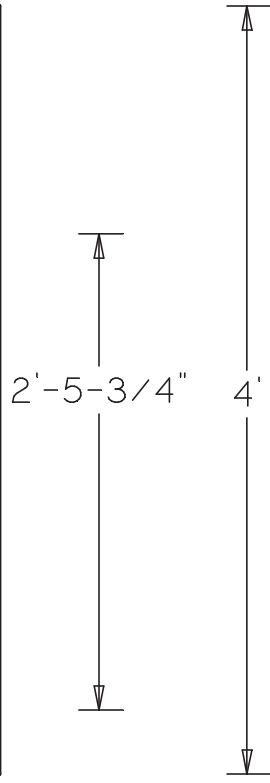
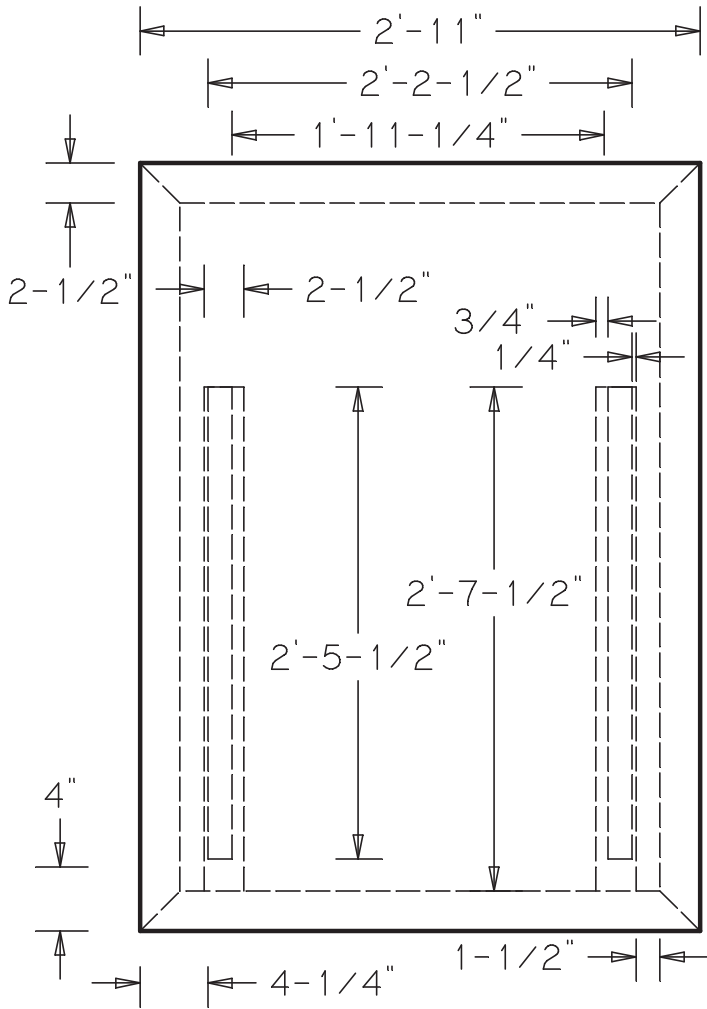


1-1/2"

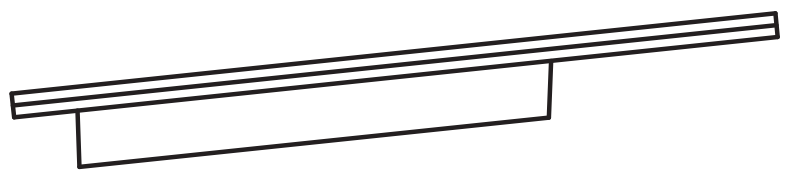
Front Panel



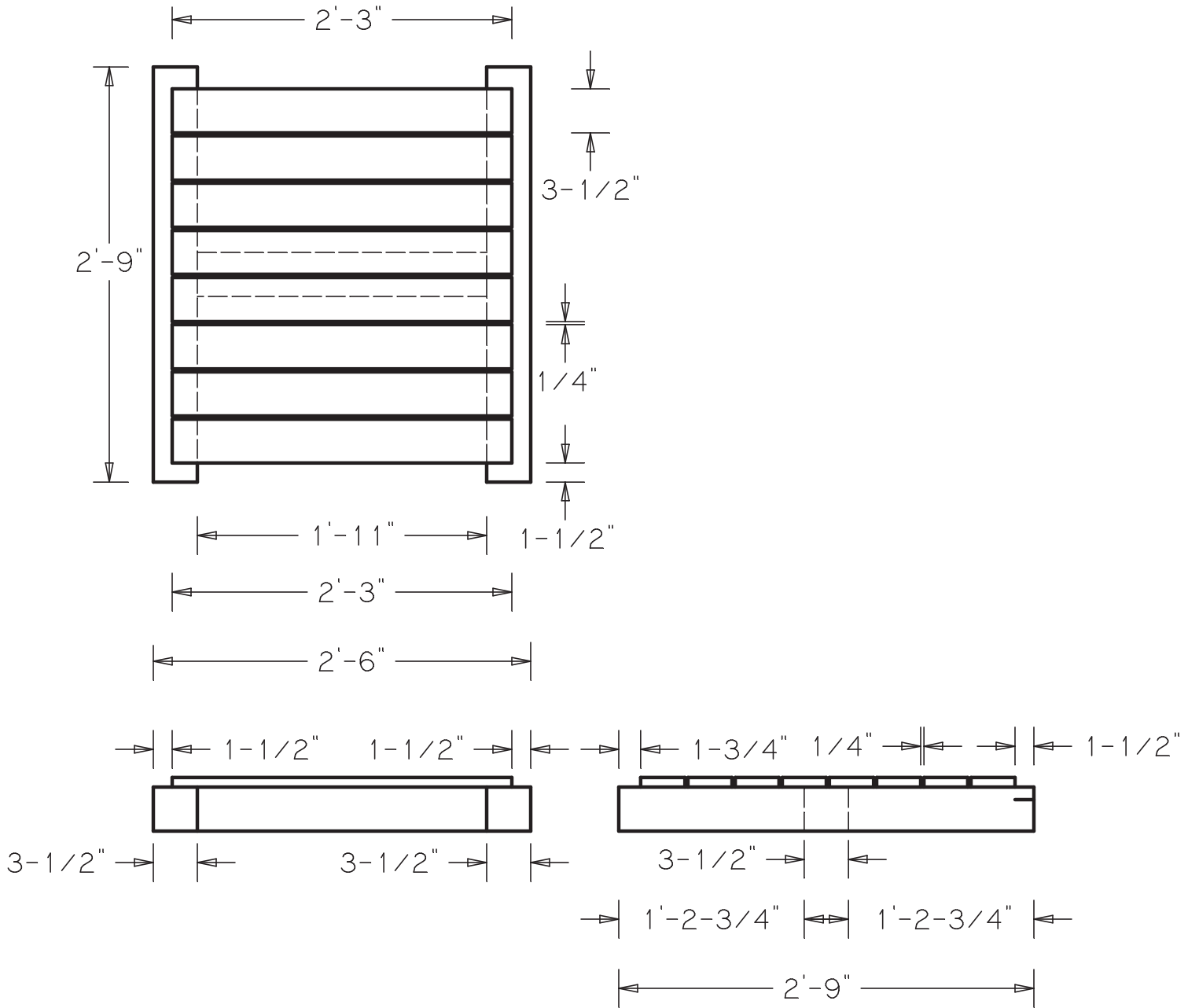
Roof



Alternate View (6 Degree angle)

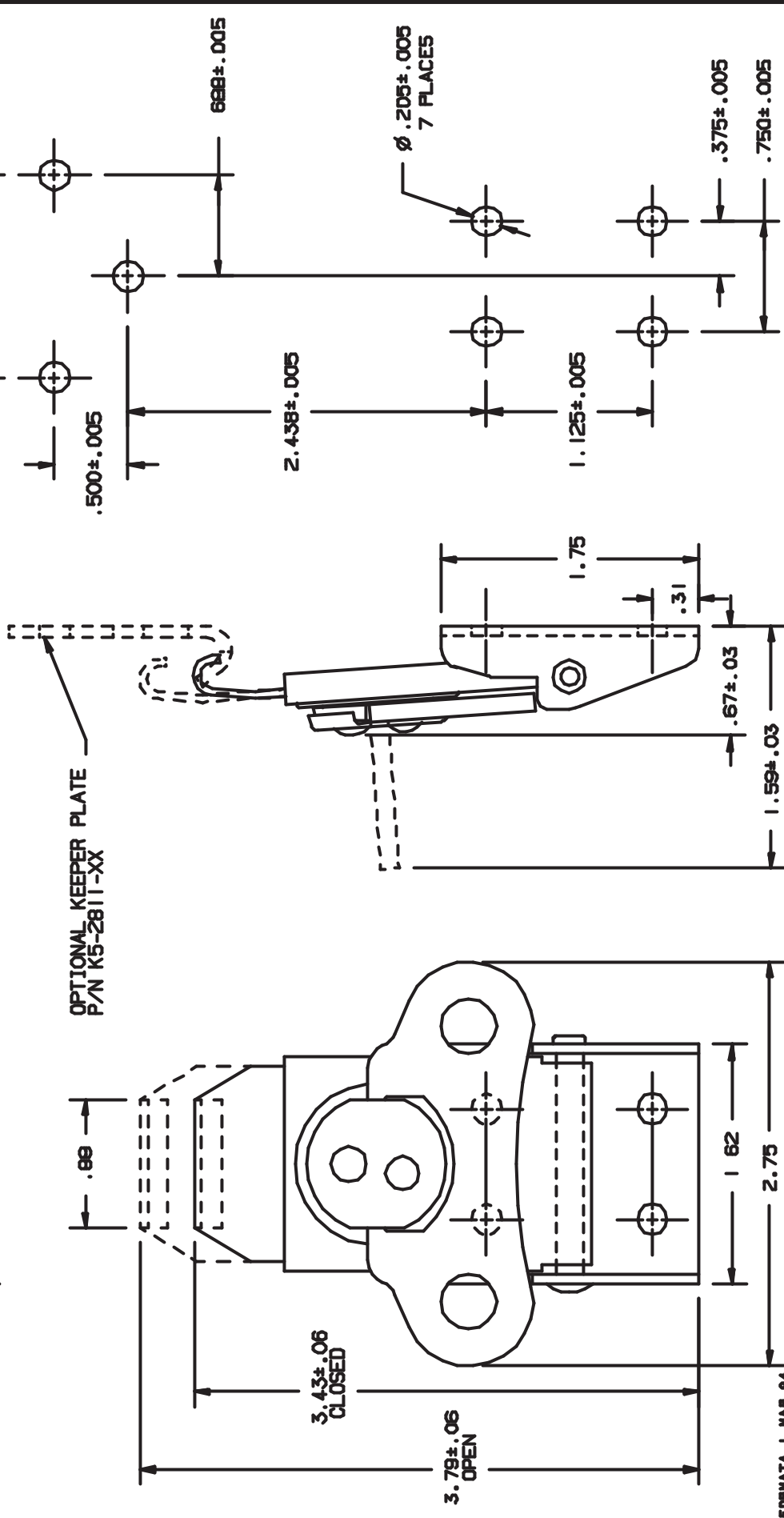


Base



REV.	DATE	BY-CHKD	REVISIONS	PART NUMBER	MATERIAL	FINISH
				K5-2857-07	SEE NOTE A	SEE NOTE B
				K5-2857-12	SEE NOTE A	SEE NOTE C
				K5-2857-52	STAINLESS STEEL	NATURAL

NOTE A - MATERIAL: ANCHOR PLATE, WING, ANCHOR PLATE RIVET AND LOWER CAM ARE CARBON STEEL; HOUSING AND SLIDE ARE HARDENED ALLOY STEEL, CAP, CAM RIVET AND UPPER CAM ARE STAINLESS STEEL.
 B - ZINC PLATE; BRIGHT CHROMATE DIP.
 C - ZINC PLATE; OLIVE CHROMATE DIP.



SUGGESTED PANEL PREPARATION

FORMATA 1 MAR 94

PROPRIETARY ITEM - EXCEPT FOR USES EXPRESSLY GRANTED IN WRITING INFORMATION DISCLOSED HEREON IS CONFIDENTIAL AND ALL RIGHTS PATENT AND OTHERWISE ARE RESERVED BY SOUTHCO, INC.

DIMENSIONS ARE IN INCHES

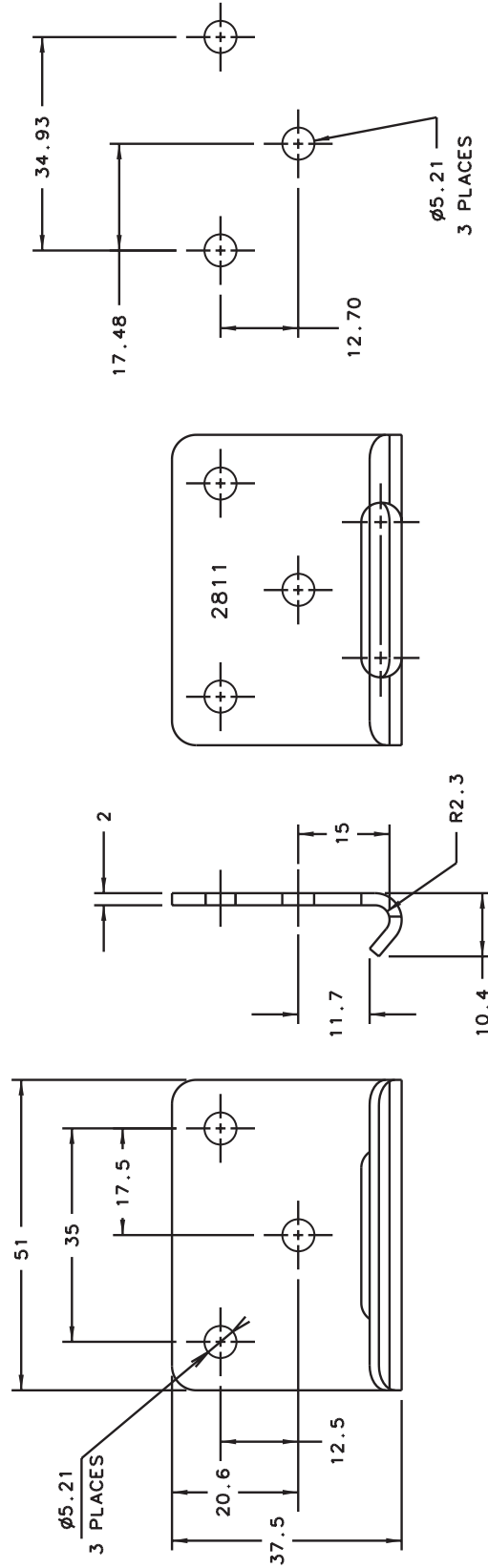
DIMENSIONS WITHOUT TOLERANCES ARE FOR REFERENCE ONLY.

KEEPER PLATE

REV.	DATE	BY-CHKD	REVISIONS	PART NUMBER	MATERIAL	FINISH	DATE 09SEP00	DRAWN CHW	CHKD	SCALE 1 : 1	DRAWING NUMBER J-K5-2811
				K5-2811-07	SEE NOTE A	SEE NOTE B					
				K5-2811-52	STAINLESS STEEL	NATURAL					
				K5-2811-69	SEE NOTE A	E-COAT, BLACK					

NOTES:

- A - HARDENED ALLOY STEEL.
- B - ZINC PLATE, BRIGHT CHROMATE DIP.



SUGGESTED
PANEL PREPARATION

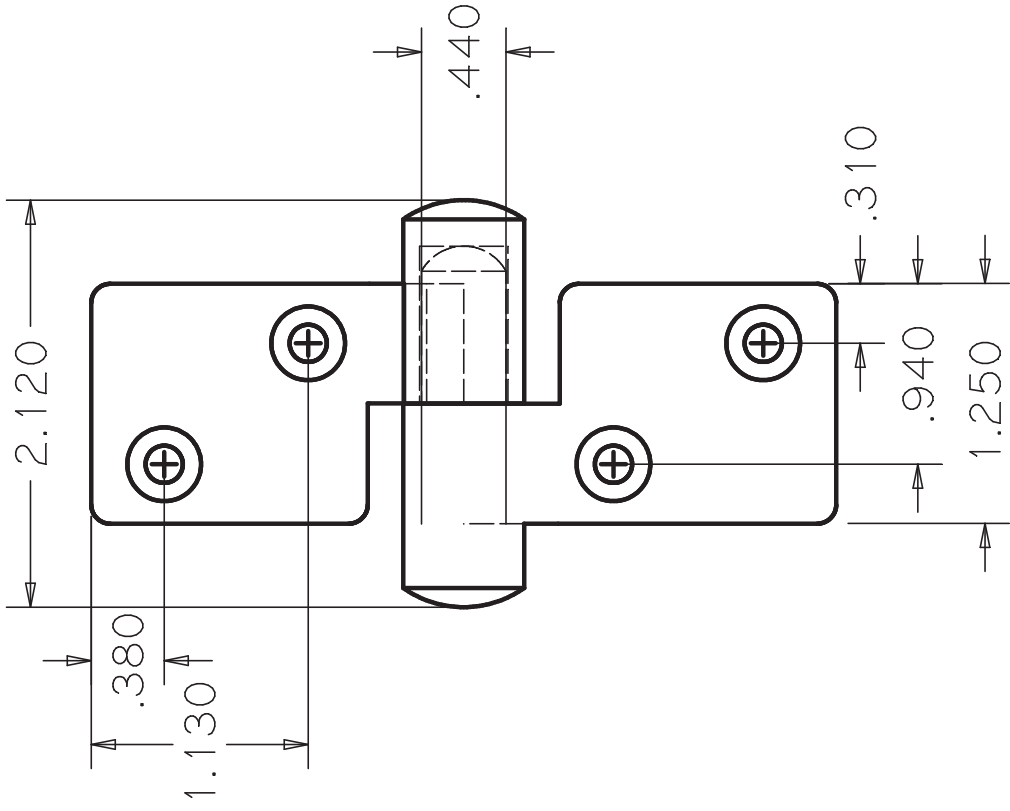
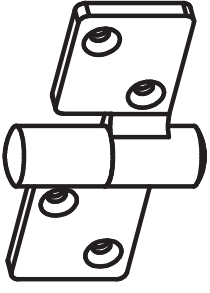
FORMAT A 1 MAR 94

PROPRIETARY ITEM - EXCEPT FOR USES EXPRESSLY GRANTED IN WRITING
INFORMATION DISCLOSED HEREON IS CONFIDENTIAL AND ALL RIGHTS PATENT
AND OTHERWISE ARE RESERVED BY SOUTHCO, INC.

ALL DIMENSIONS ARE IN MILLIMETERS.
ALL DIMENSIONS WITHOUT TOLERANCES ARE REFERENCE.
THIRD ANGLE PROJECTION DRAWING.

DRAWING NUMBER

J-K5-2811



McMaster-Carr

P/N 1799A42