

This document is provided by **The Virtual Weber Bullet (TVWB)** for the private, non-commercial use of Weber Smokey Mountain Cooker owners. TVWB acknowledges Mike Durso for creating the CAD drawings shown in this document.

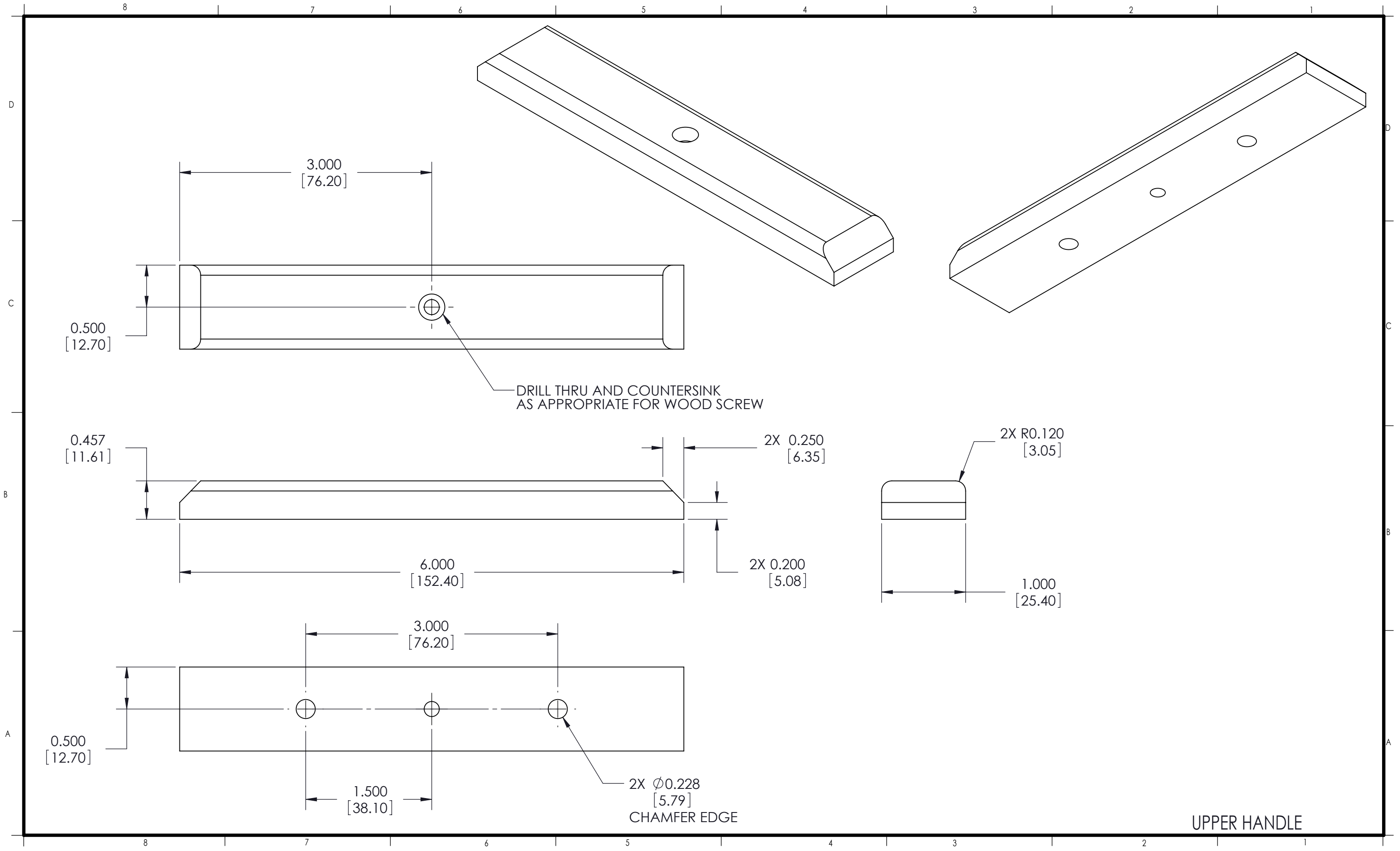
TVWB does not claim any rights to any intellectual property or product designs of the Weber-Stephen Products Co.

However, scanning, formatting, and publishing of this document in PDF format represents a considerable investment in equipment, software, and labor on the part of TVWB. You may not republish, post, transmit, or distribute this document in any way whatsoever without permission of TVWB.

The Virtual Weber Bullet

[www.virtualweberbullet.com](http://www.virtualweberbullet.com)

February 2011



UPPER HANDLE

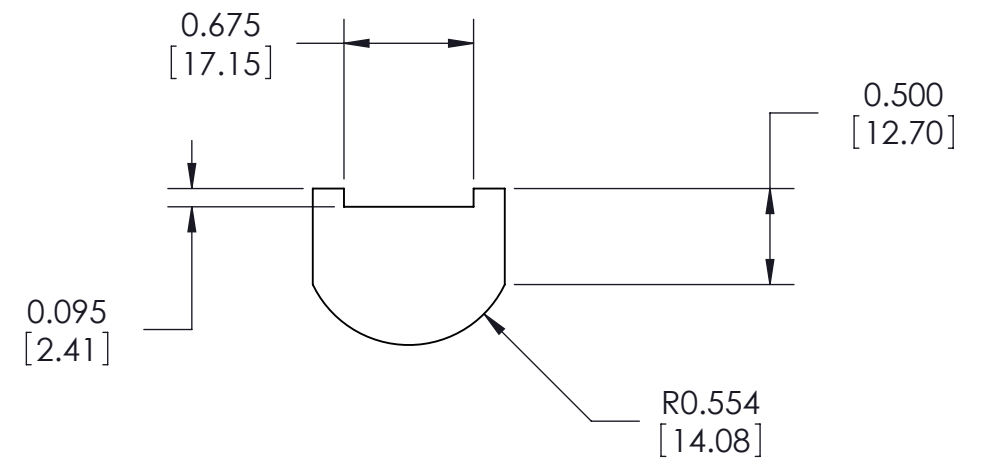
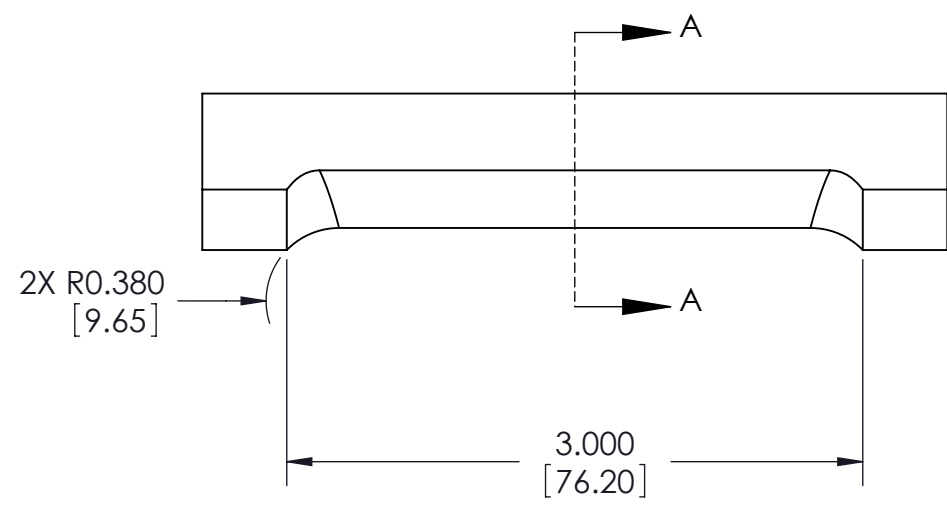
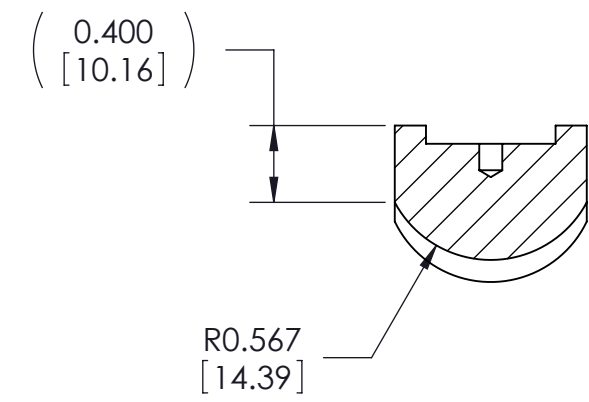
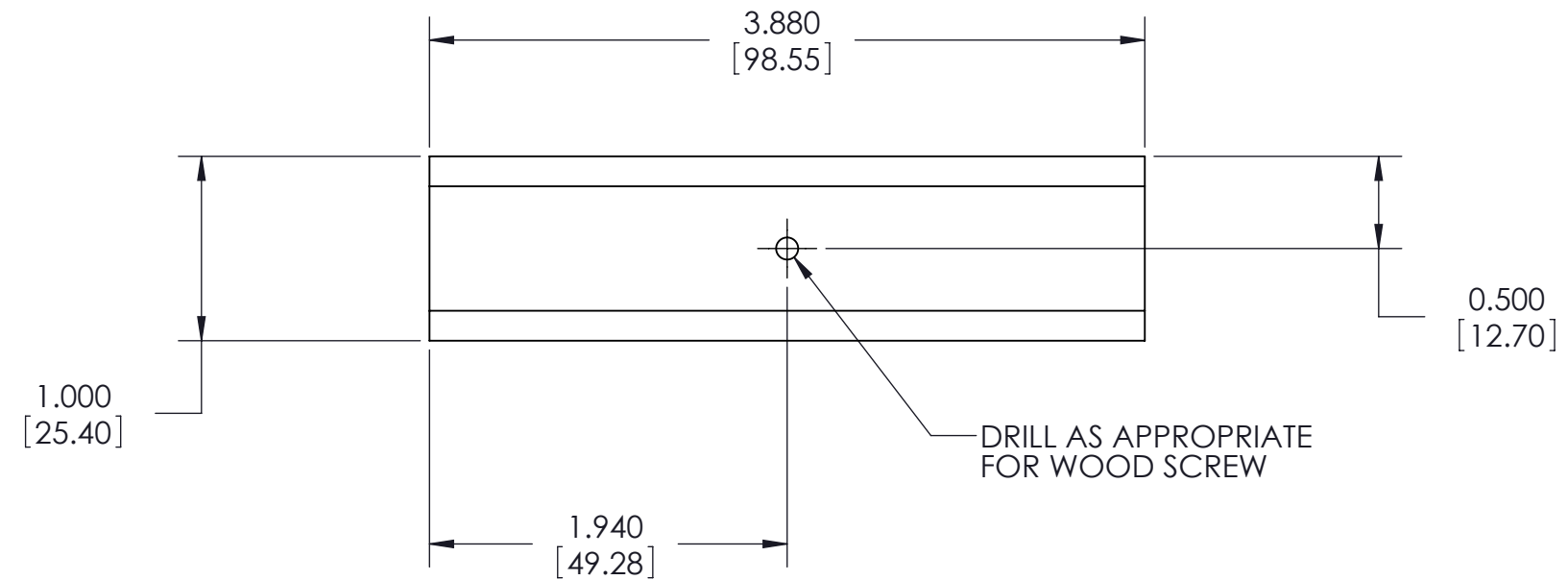
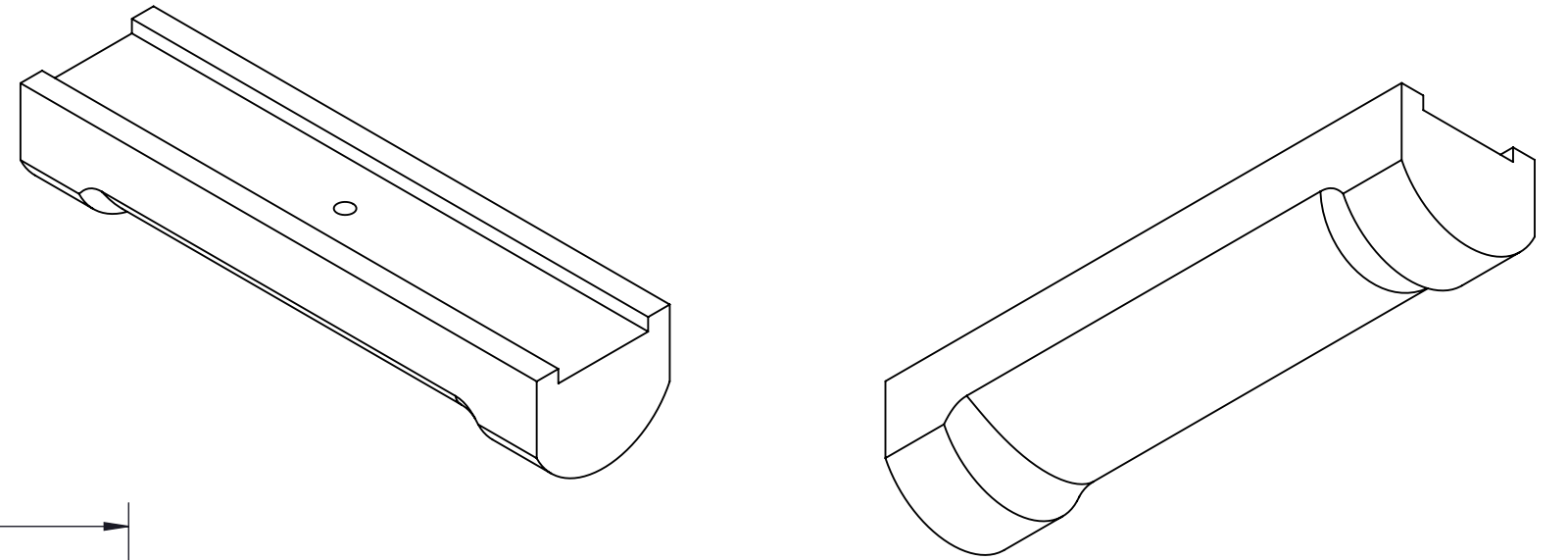
8 7 6 5 4 3 2 1

D

C

B

A



LOWER HANDLE

8 7 6 5 4 3 2 1